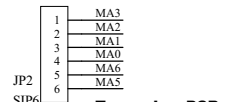


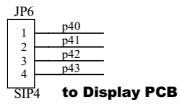
to Display PCB



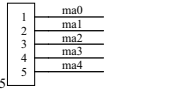
to Display PCB



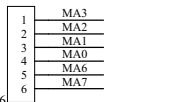
To upp-key PCB



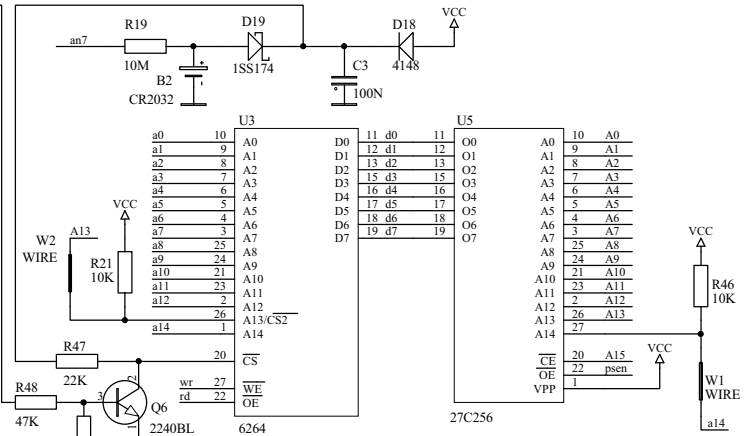
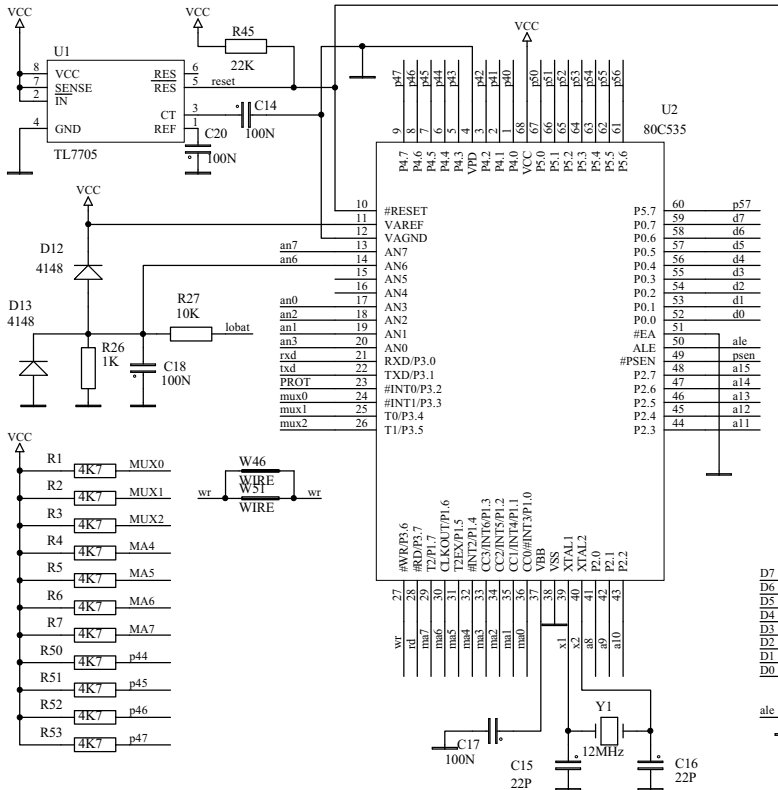
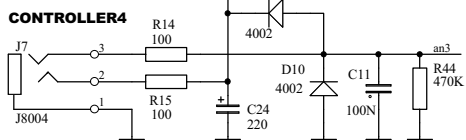
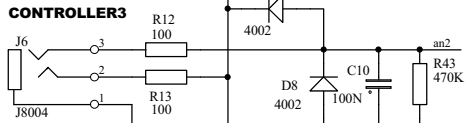
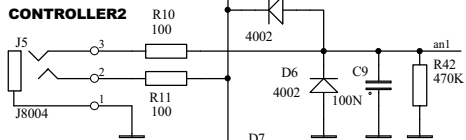
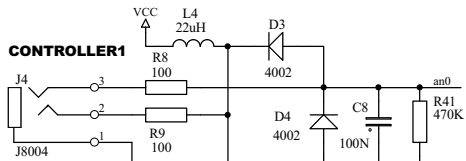
to Display PCB



to Display PCB



To low-key PCB



U3 is a 6264 RAM in a 28Pin socket remove W1/W2 for -64 use! insert W1/W2 for -256 use!

